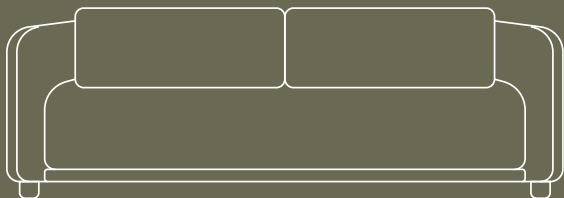


Byron Sofa Bed

Click the button
to watch the
assembly video



Ko'do
|
do

What's in the box*

*Not to scale

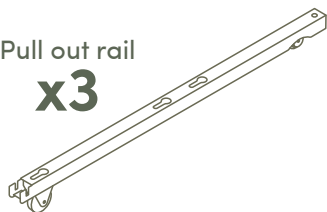
x2



Easier assembly with two people

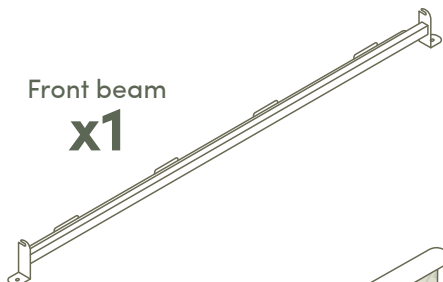
Pull out rail

x3



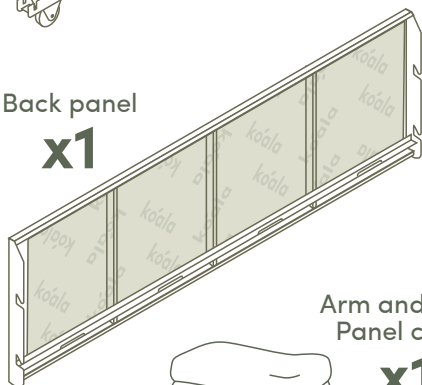
Front beam

x1



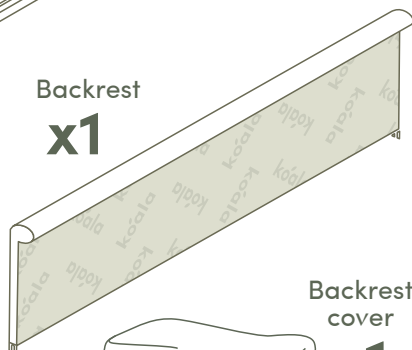
Back panel

x1



Backrest

x1



Arm and Back
Panel cover

x1



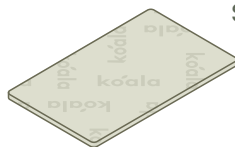
Backrest
cover

x1



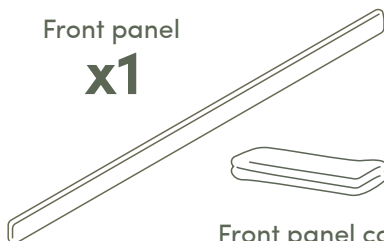
Seat panels

x4



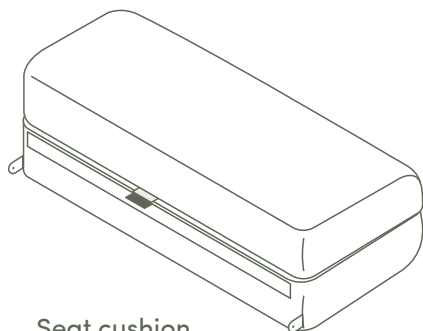
Front panel

x1



Front panel cover

x1

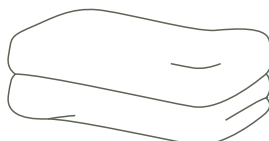


Seat cushion

x1

Seat cushion cover

x1



What's in the box*

*Not to scale



Large
gumnut

x4



Small
gumnut

x5



Stopper

x2



Legs

x4



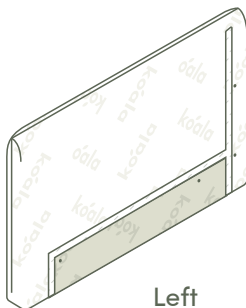
Backrest
pivot pin

x2



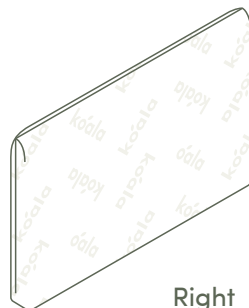
Backrest
cushion

x2



Left
Armrest

x1



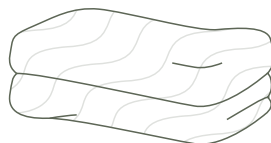
Right
Armrest

x1



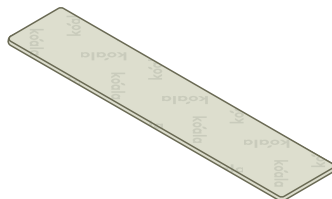
Backrest
cushion
cover

x2



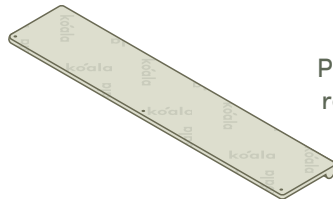
Mattress
topper

x1



Pull out
top panel

x1

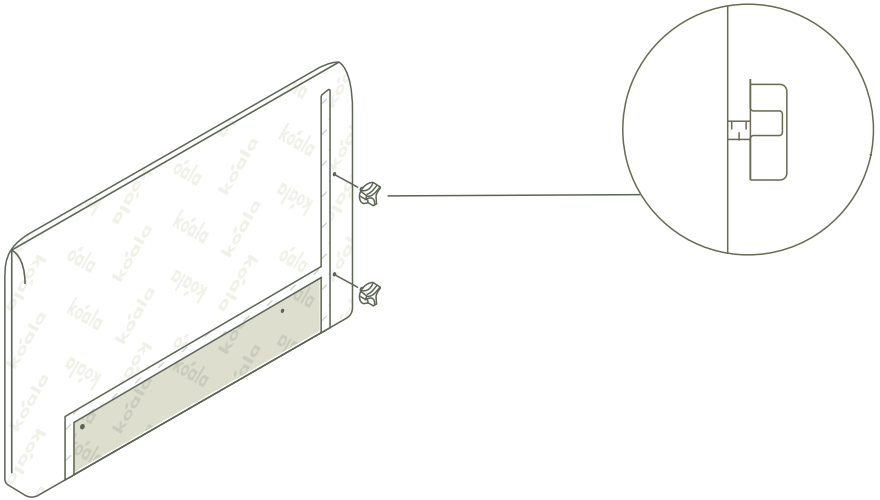


Pull out top
rear panel

x1

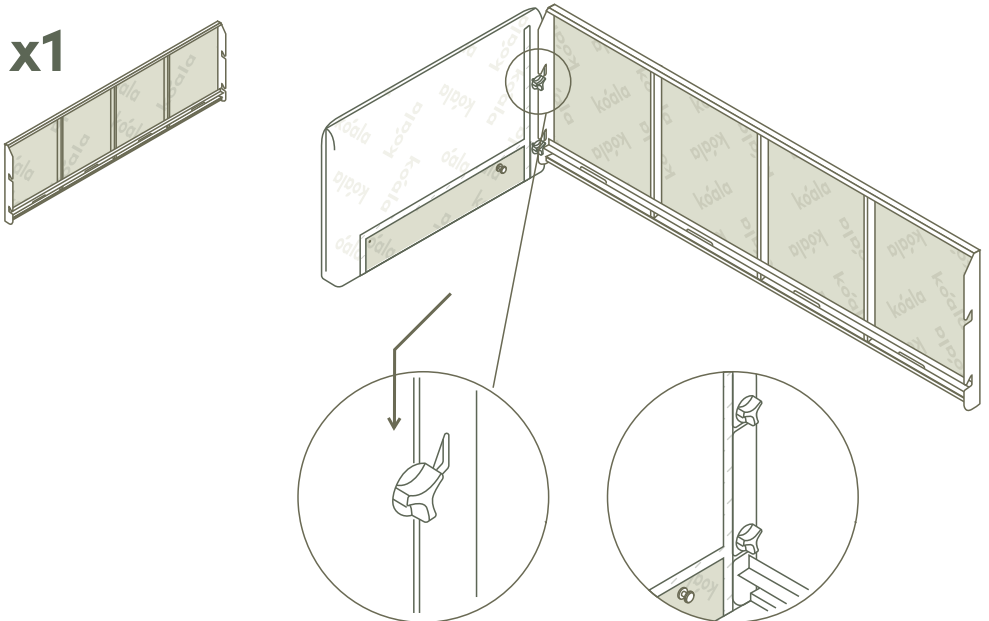
1. Partially screw in the two Large Gumnuts onto both Armrests.

 **x4**

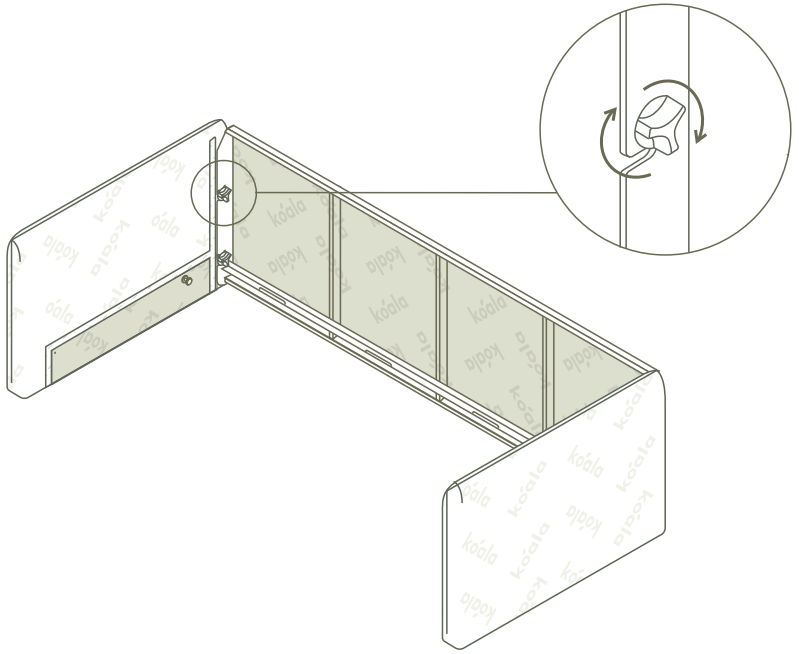


2 Slot the backrest bracket onto the gumnuts. Repeat for the other side.

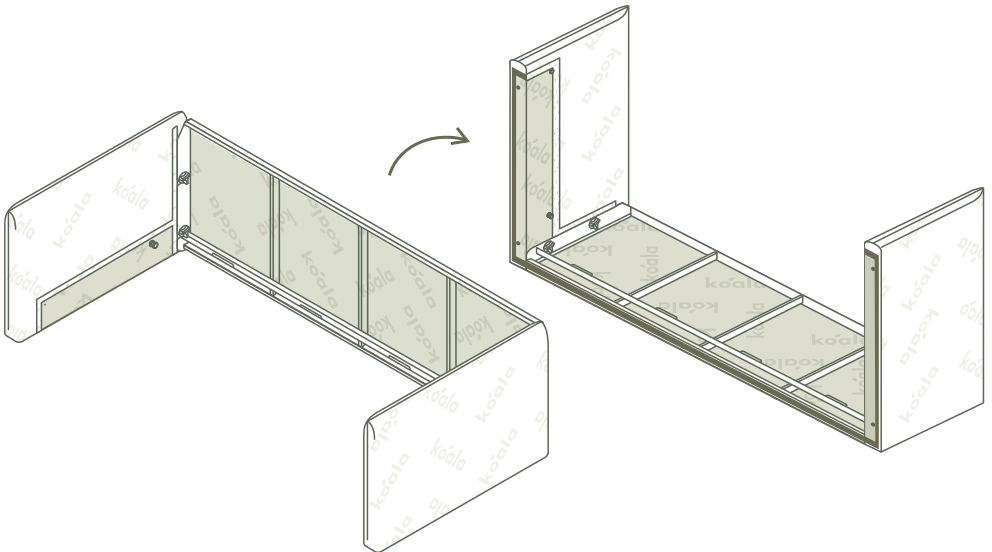
x1



3. Fully tighten the gumnuts on both Armrests.

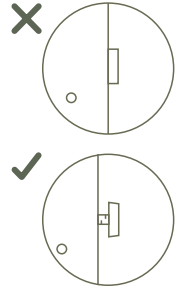
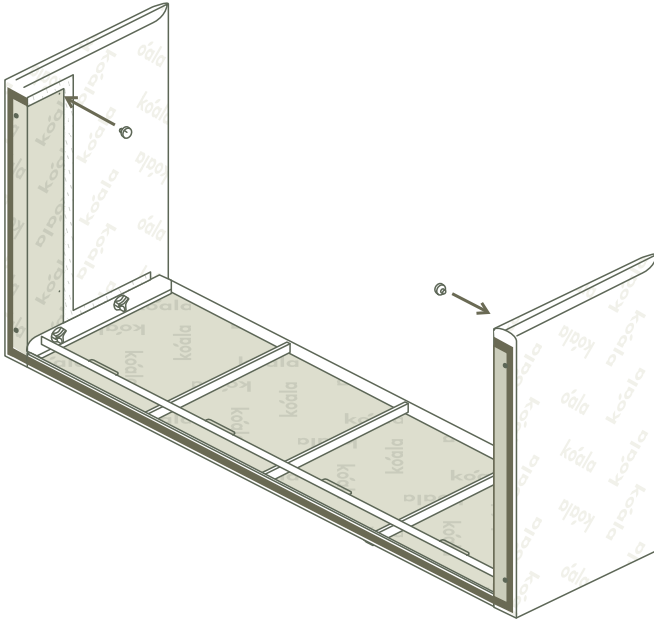


4. Tilt the frame onto the backrest.



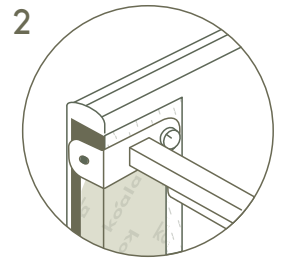
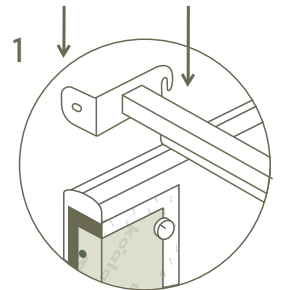
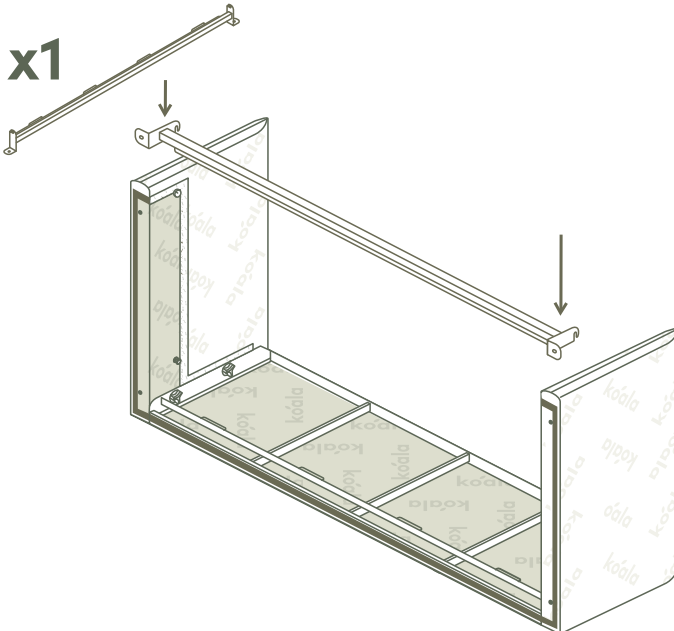
5. Partially screw in the Small Gumnuts onto the front of both Armrests.

 x2



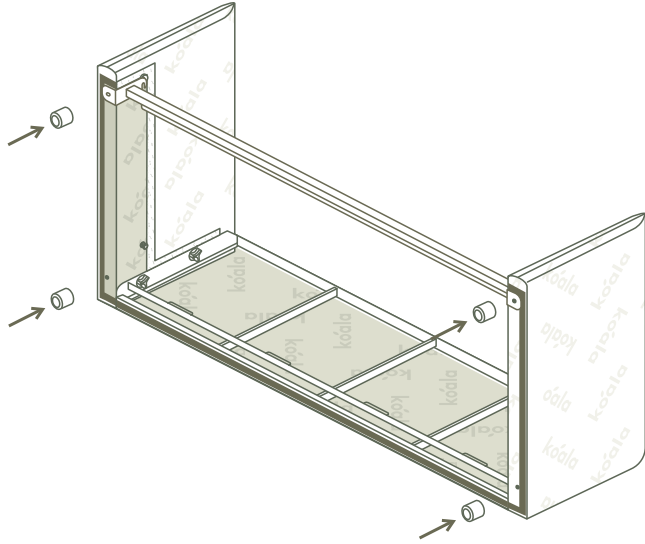
6. Slot the Front Beam onto the Small Gumnuts.

x1

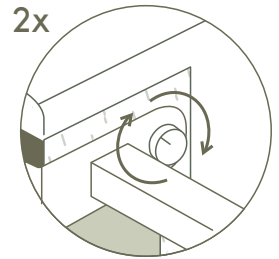
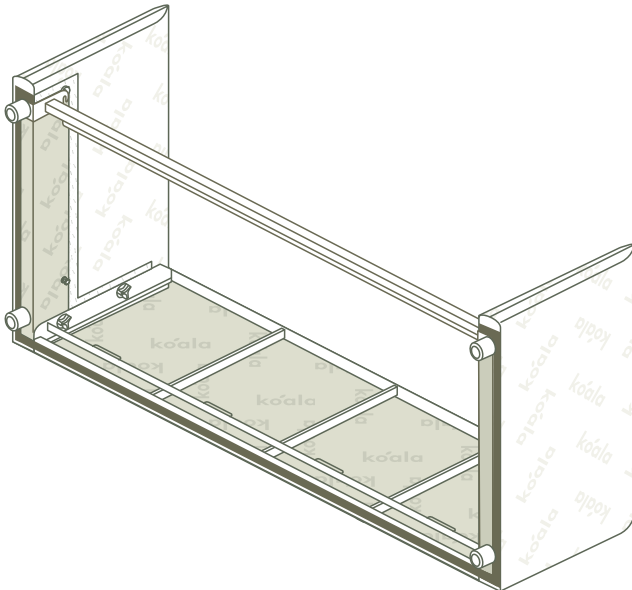


7. Fully screw the Legs onto the Armrests.

 x4

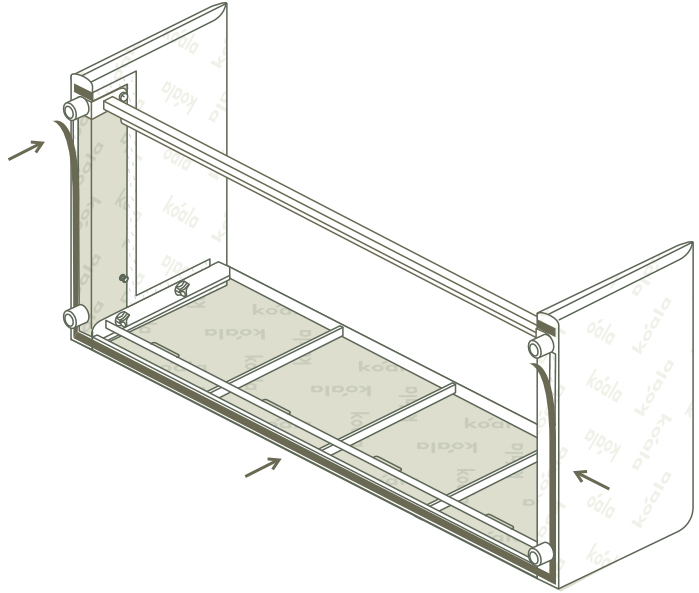


8. Fully tighten the 2 Small Gumnuts.



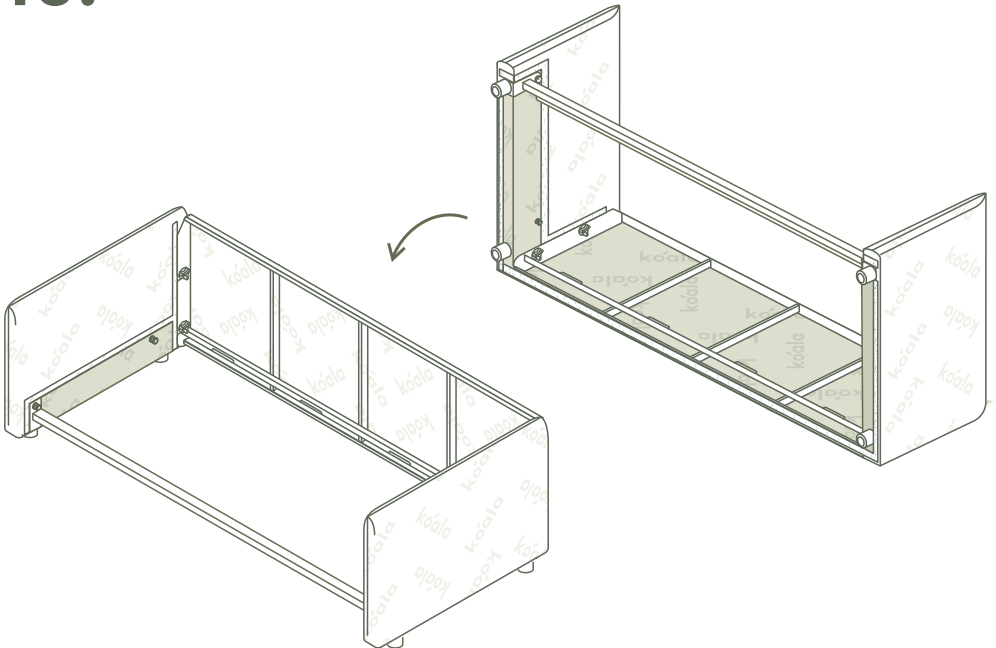
9.

Remove velcro protective strips on the bottom of the Armrests and Back Panel.



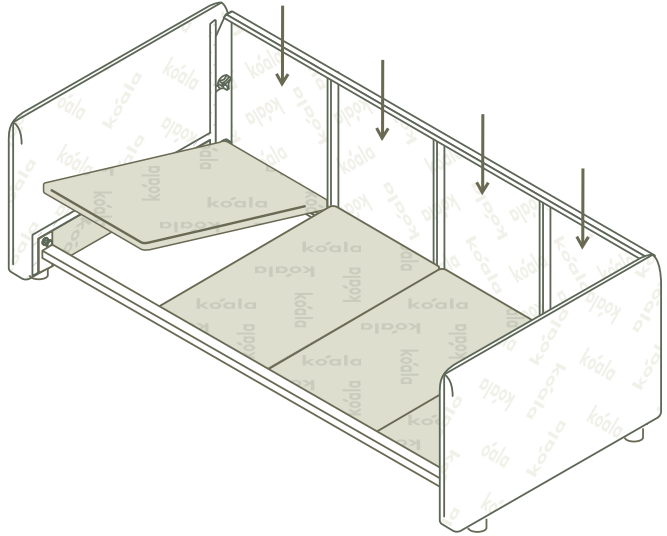
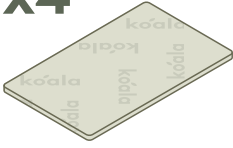
10.

Carefully rotate the sofaed onto its legs.

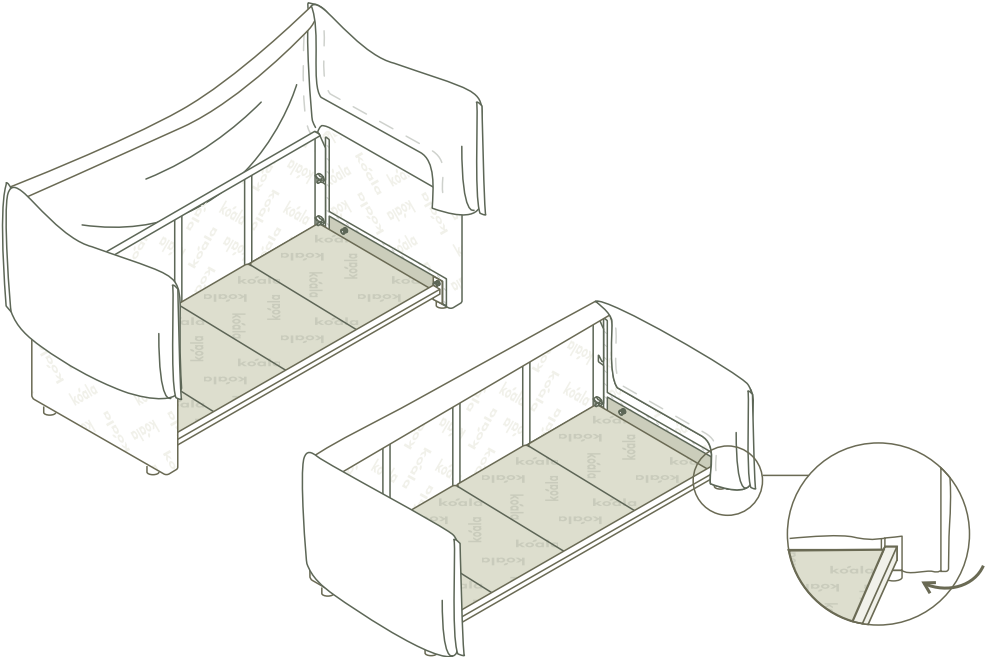


11. Insert the Seat Panels into frame, installing from the back of the board to the front.

x4

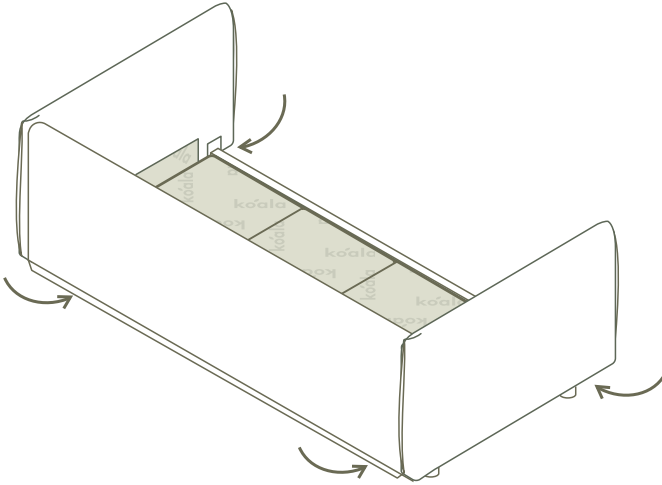


12. Drape the cover over frame. Using two hands, pull the cover over the Armrests so the corners are neat. Start from the bottom front of both Armrests.



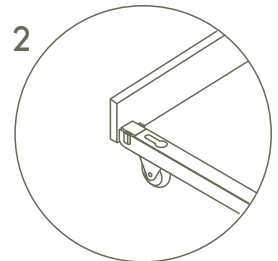
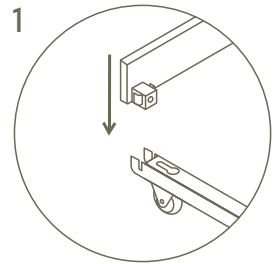
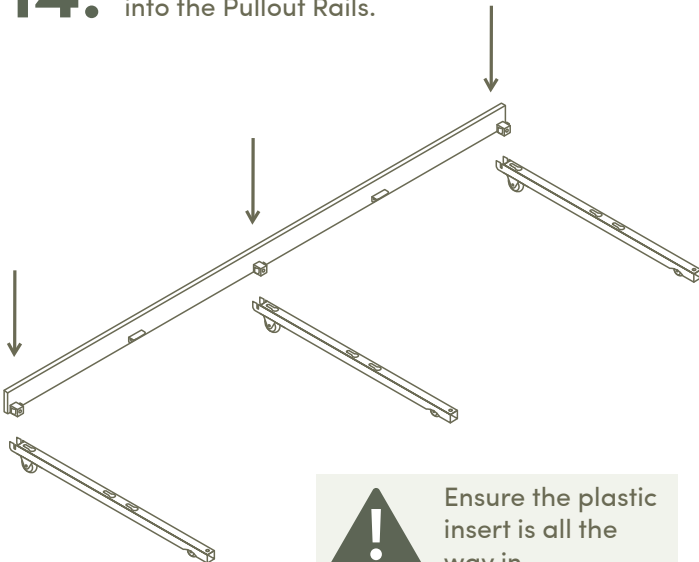
13.

Secure the velco to the frame.



14.

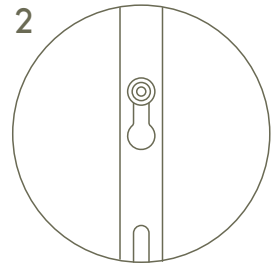
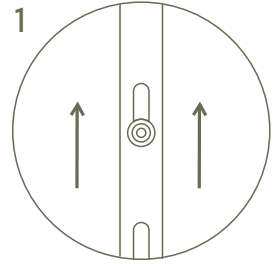
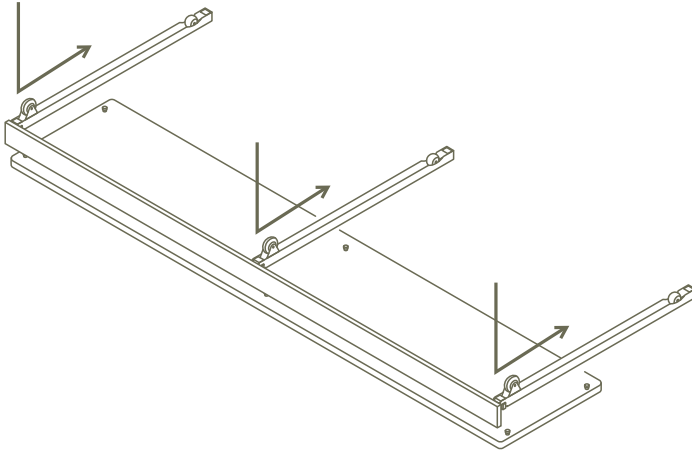
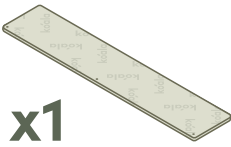
Start the assembly of the pull out frame by inserting the Front Panel into the Pullout Rails.



Ensure the plastic insert is all the way in

15.

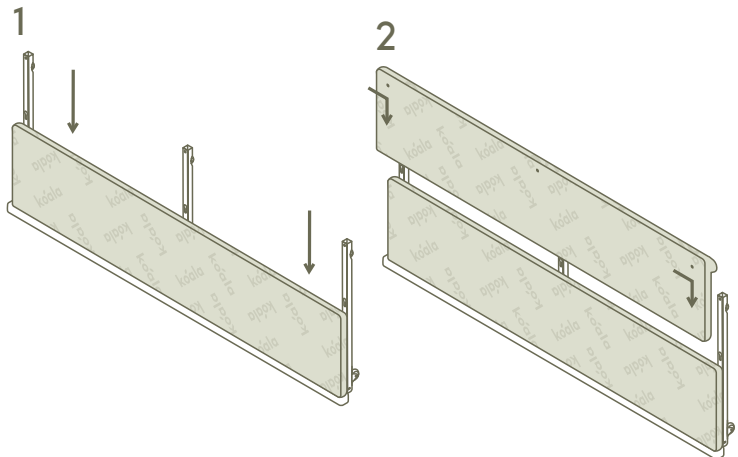
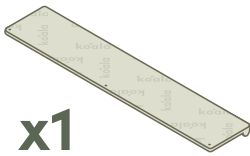
Align the keyslot holes with the Pull out top panel pins and slide into place.



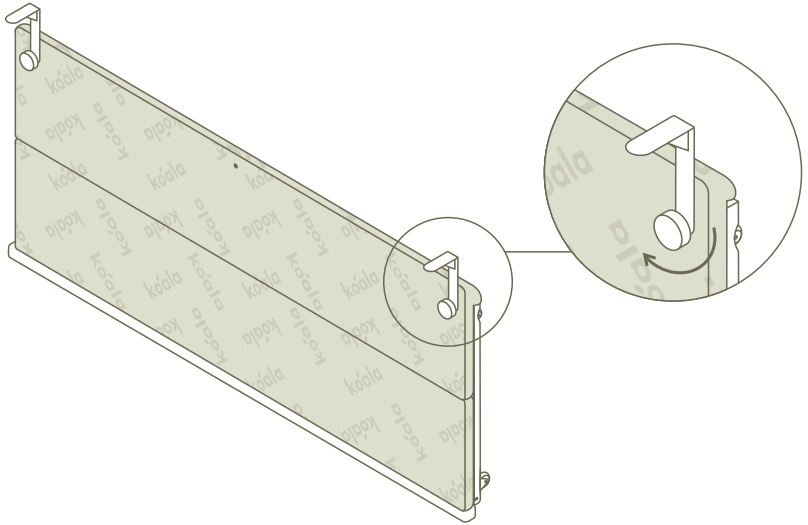
16.

Tilt frame onto the front panel and push the baseboard down to lock.

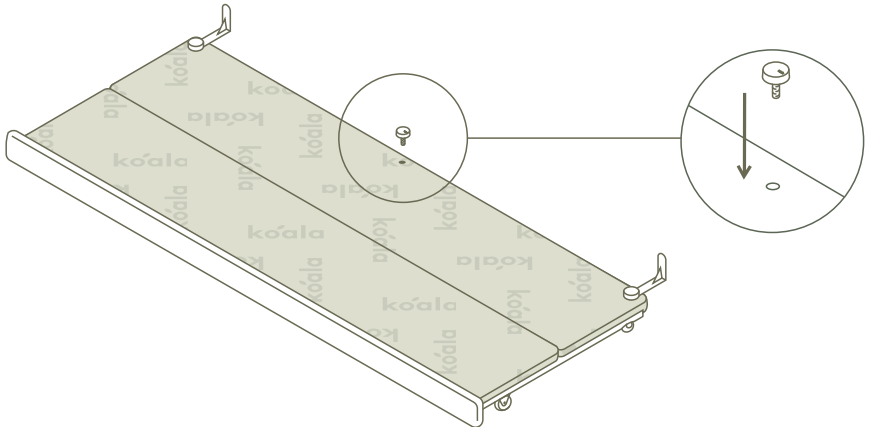
Repeat for second base board.



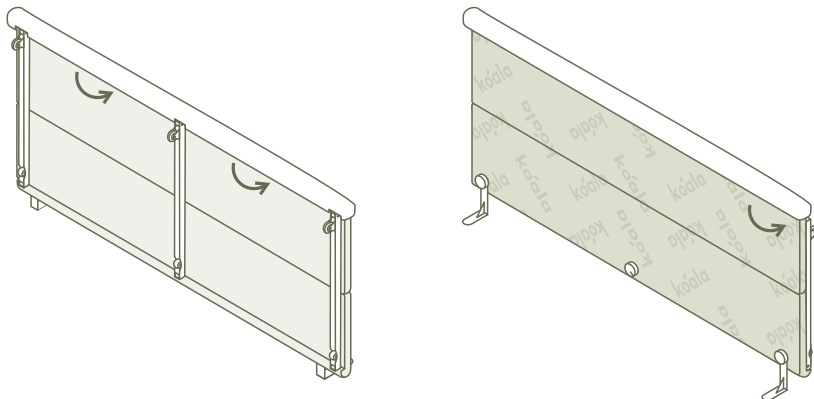
- 17.** Position the L-brackets on the back of the rear baseboard and secure with the Small gumnuts.



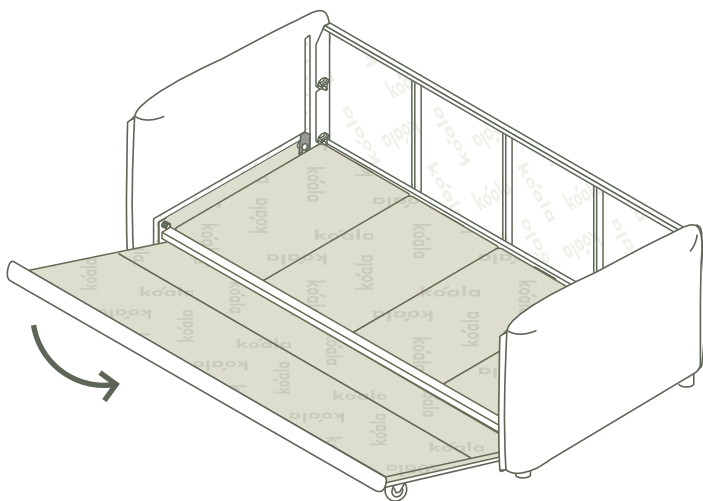
- 18.** Fully screw in the Small Gumnut as shown.



- 19.** Starting with the ends, secure the front panel cover onto the pull out frame.



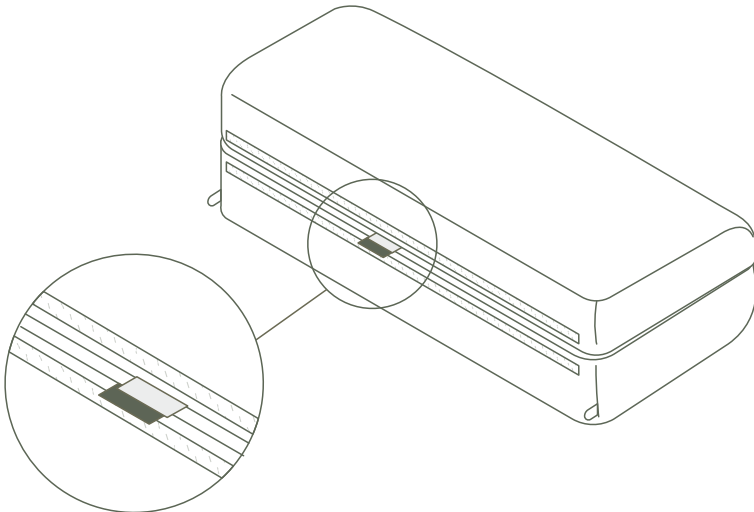
- 20.** Roll the pull-out platform under the sofa frame.



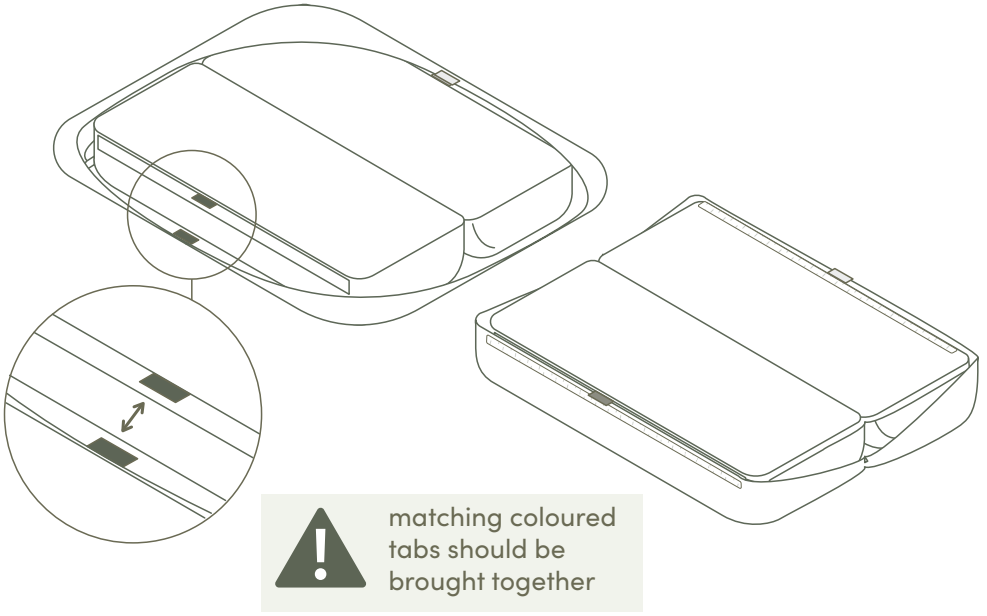
21. Lay the seat cushion cover fabric side down on the ground.



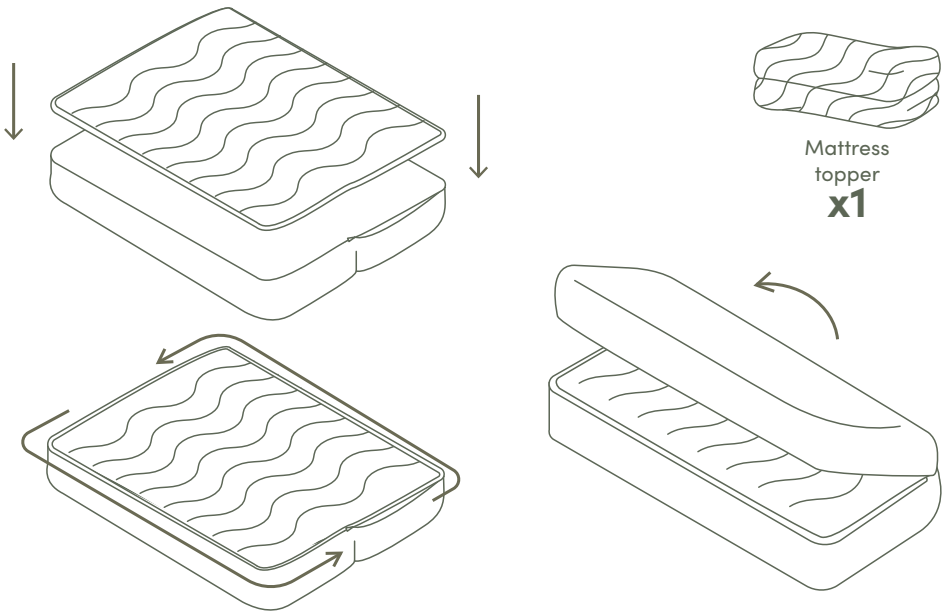
22. Locate the colored tabs on the Seat cushion.



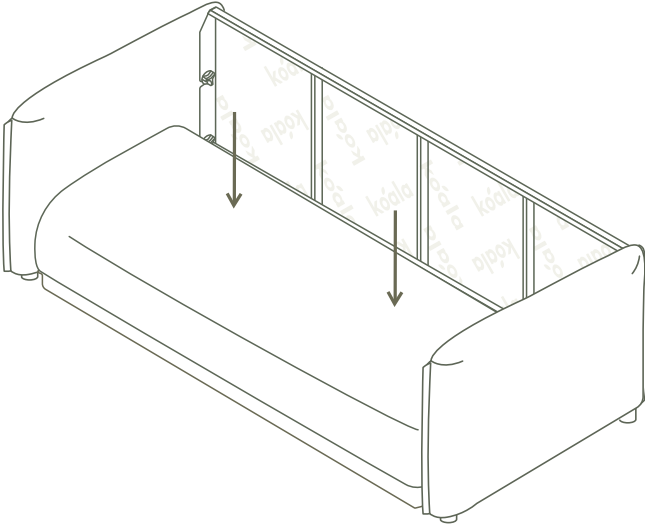
23. Place Seat cushion on top of cover so that tab colors are matching. Secure the velcro on the front and rear of the Seat cushion.



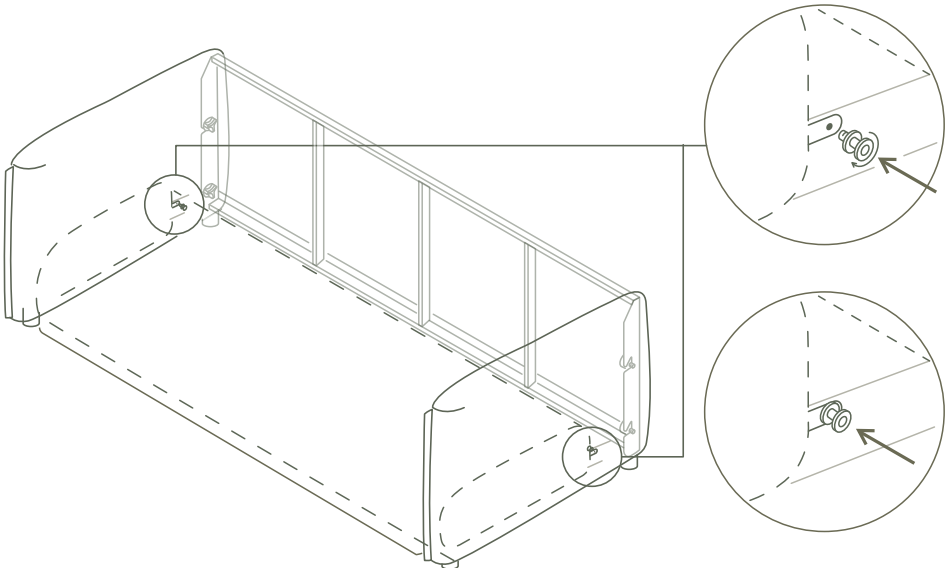
24. Place topper onto sleep surface and zip closed. Fold the Seat cushion closed.



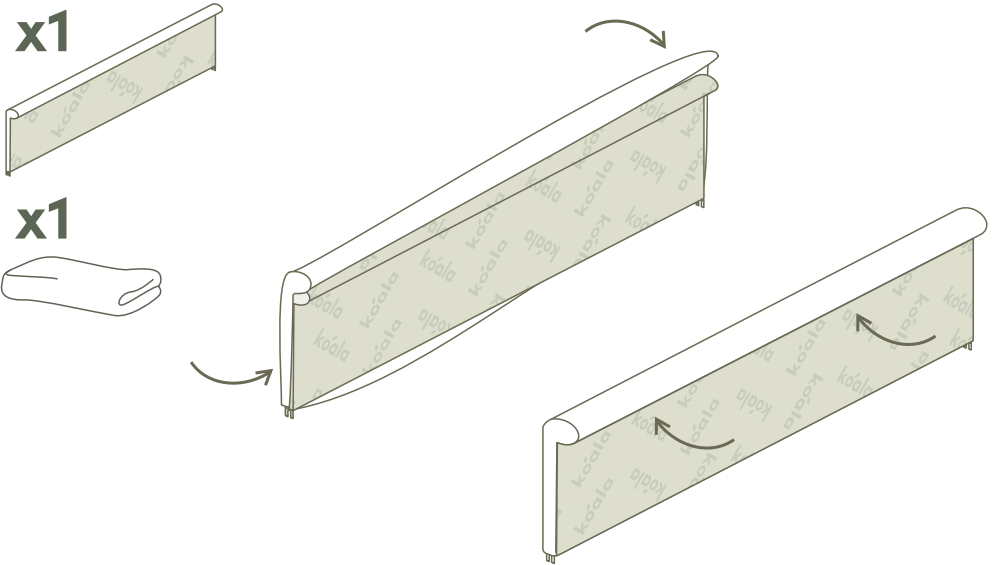
25. Place the Seat cushion onto frame.



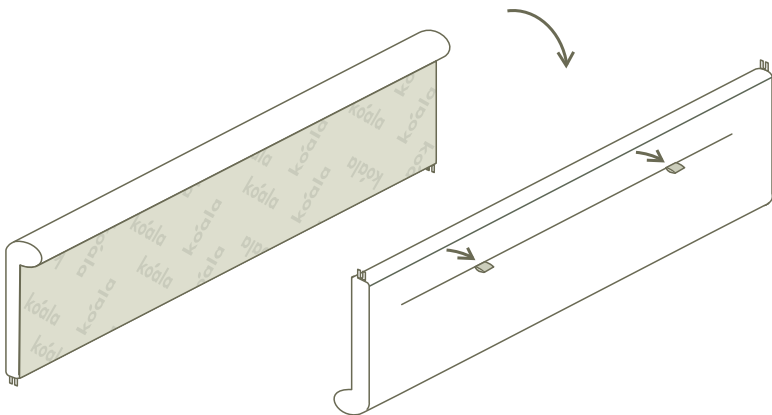
26. Attach the strap to the armrest as shown by fully tightening the pivot pin through the eyelet.



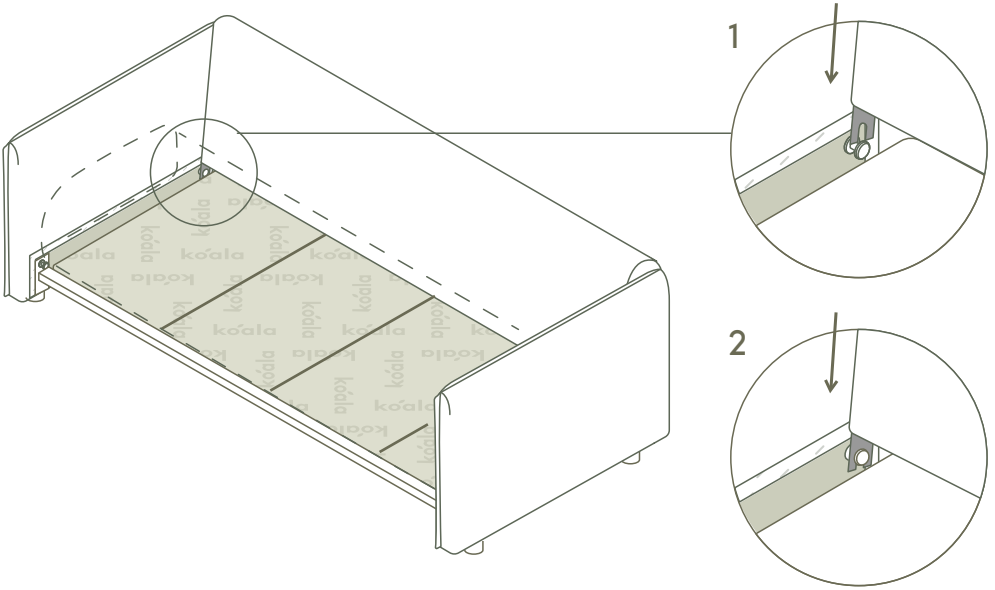
27. Apply cover to the top of the separate Backrest component.
Secure velcro along the top edge.



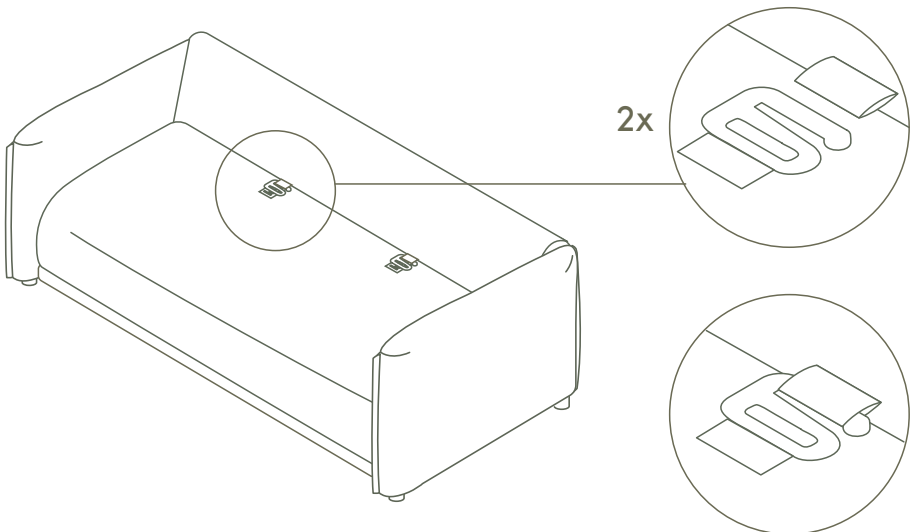
28. Flip the Backrest upside down and thread the green strap through the corresponding holes in the cover. Then secure the cover using velcro.



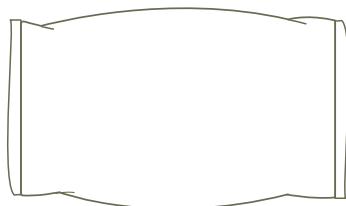
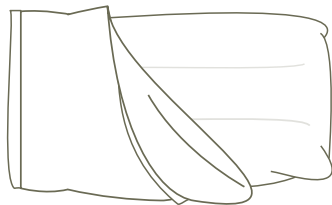
29. Slot the Backrest onto pivot pins.



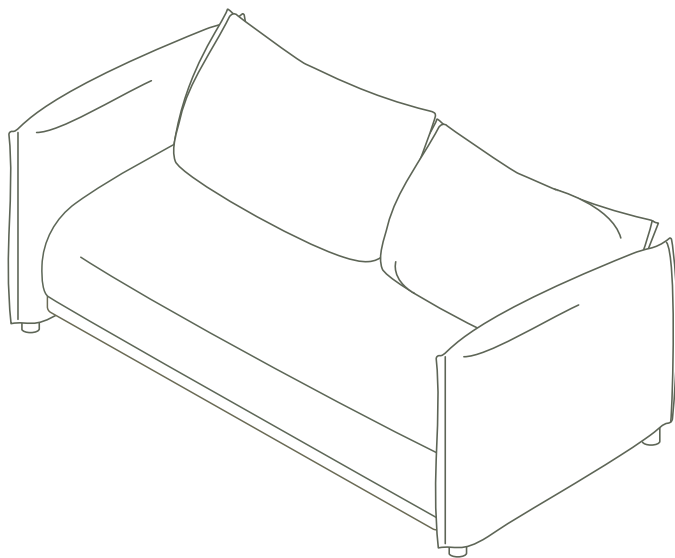
30. Attach the buckle to the Backrest loop and pull tight.



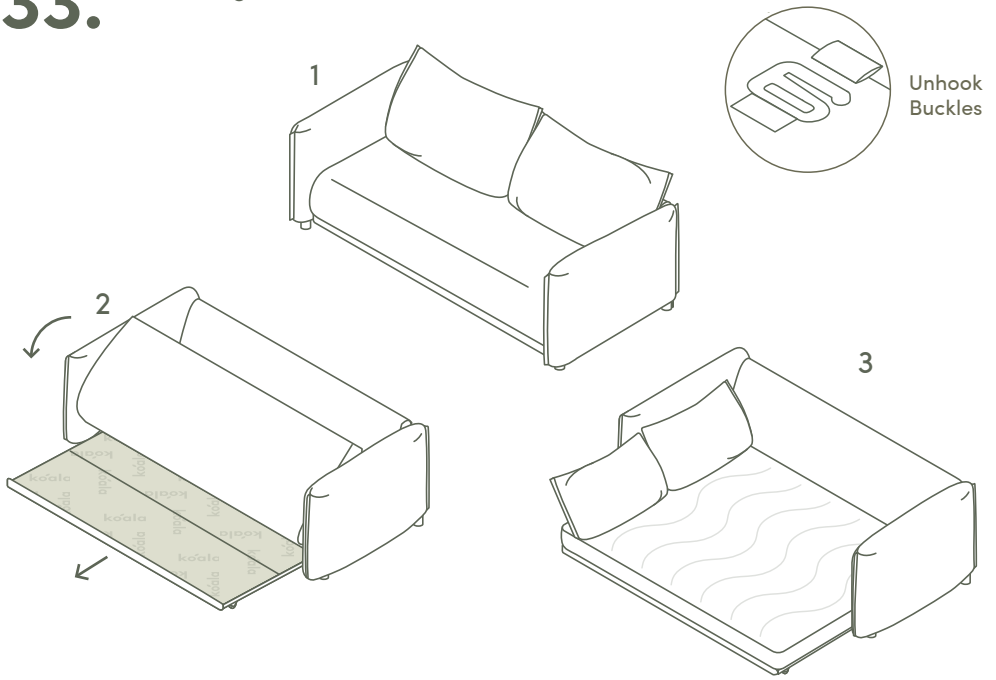
31. Insert Backrest Cushions into their covers.



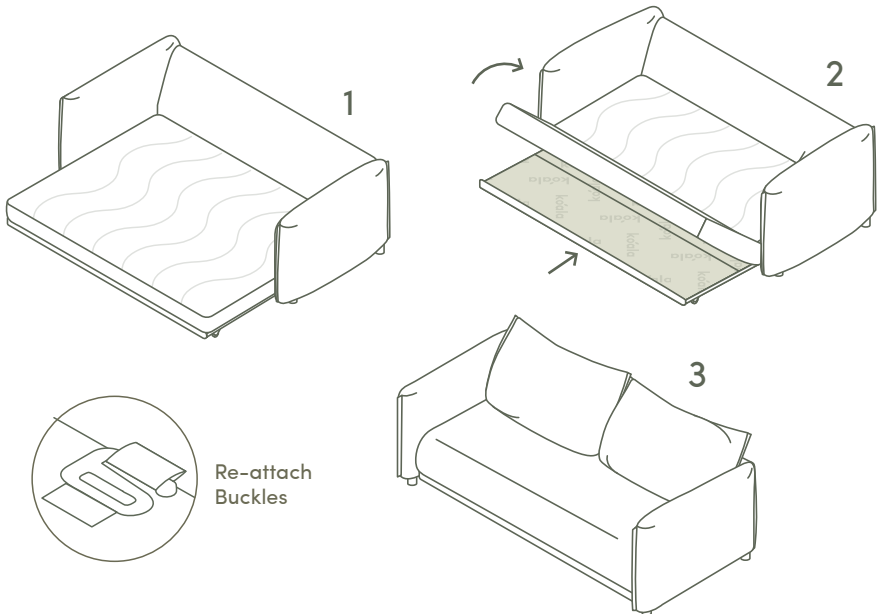
32. Place the cushions onto the sofa.



33. Converting to bed.



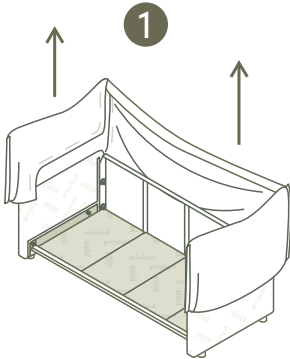
34. Converting to sofa.



Cover Care Instructions

Your Byron Sofabed cover is removable and washable!
How good! Save this guide for when you wash your covers!

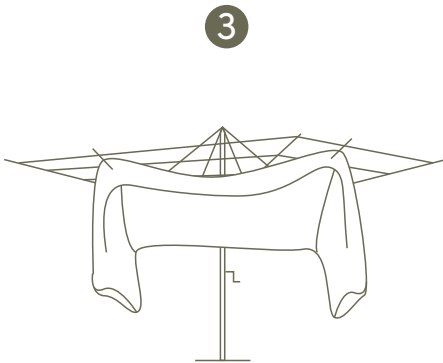
WASH INSTRUCTIONS



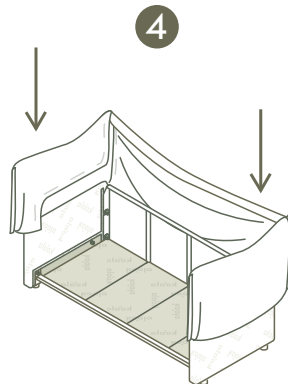
Remove your cover,
(follow steps 12-13,
19 & 21-31 in reverse order)



To prevent shrinkage,
cold machine wash



Line dry in shade



Re-fit the covers by
following steps 12-13,
19 & 21-31

For even more detail, turn to next page or check out the care labels on the cover.

Product Information and Care

FABRIC

Regular Care (Weekly)

- Vacuum regularly using low suction.
- Protect from direct sunlight.

Removable Covers

- For correct care of the removable covers, refer to the care label inside covers for additional cleaning instructions.

Spot Cleaning

- Remove any spills immediately by gently blotting any liquid with a clean cloth.
- Scoop up any solids before blotting the remaining liquid.
- Use a mild detergent to gently remove any loose soilage.
- Do not scrub with a stiff brush.
- Use a clean cloth to blot out any excess liquid.
- Avoid over wetting as this may result in a water mark.
- Allow the fabric to air dry in a well ventilated area away from direct sunlight

NOTE: PRETEST THE CLEANING METHOD ON A HIDDEN AREA OF THE SOFA.
IF CHANGE IN COLOUR, OR TRANSFER DO NOT CONTINUE.

PILLING

Pilling can occur occasionally as a result of normal daily wear and should not be considered a fault. Fiber pills can be removed with a battery operated pilling tool, available from most haberdashery stores.

WARNING: CARELESS USE OF CIGARETTES AND MATCHES COULD SET FIRE TO THIS PRODUCT.

FRAME

Regular Care (Weekly)

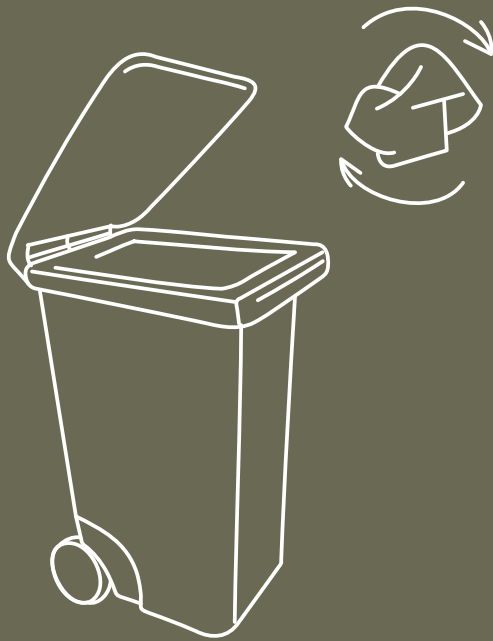
- Wipe down with a clean cloth.
- Protect from direct sunlight.

Cleaning

- Do not use abrasive cloths or concentrated detergents on the metal frame.

SAFETY AND USE

- Pull and push the pull-out frame from the middle and as straight as possible.
- Take care of your fingers when closing the bed frame.
- Do not jump or stand directly on the bed frame.
- Avoid sitting on the arms or backrest.
- Avoid dragging the sofa bed if you need to move it (remember to remove the bed frame first).



Don't forget to recycle.

kóala